

## MICROWALLOVEN

# Repair Parts List

MODEL NUMBER

WM277B

When requesting service or ordering parts, always provide the following information:

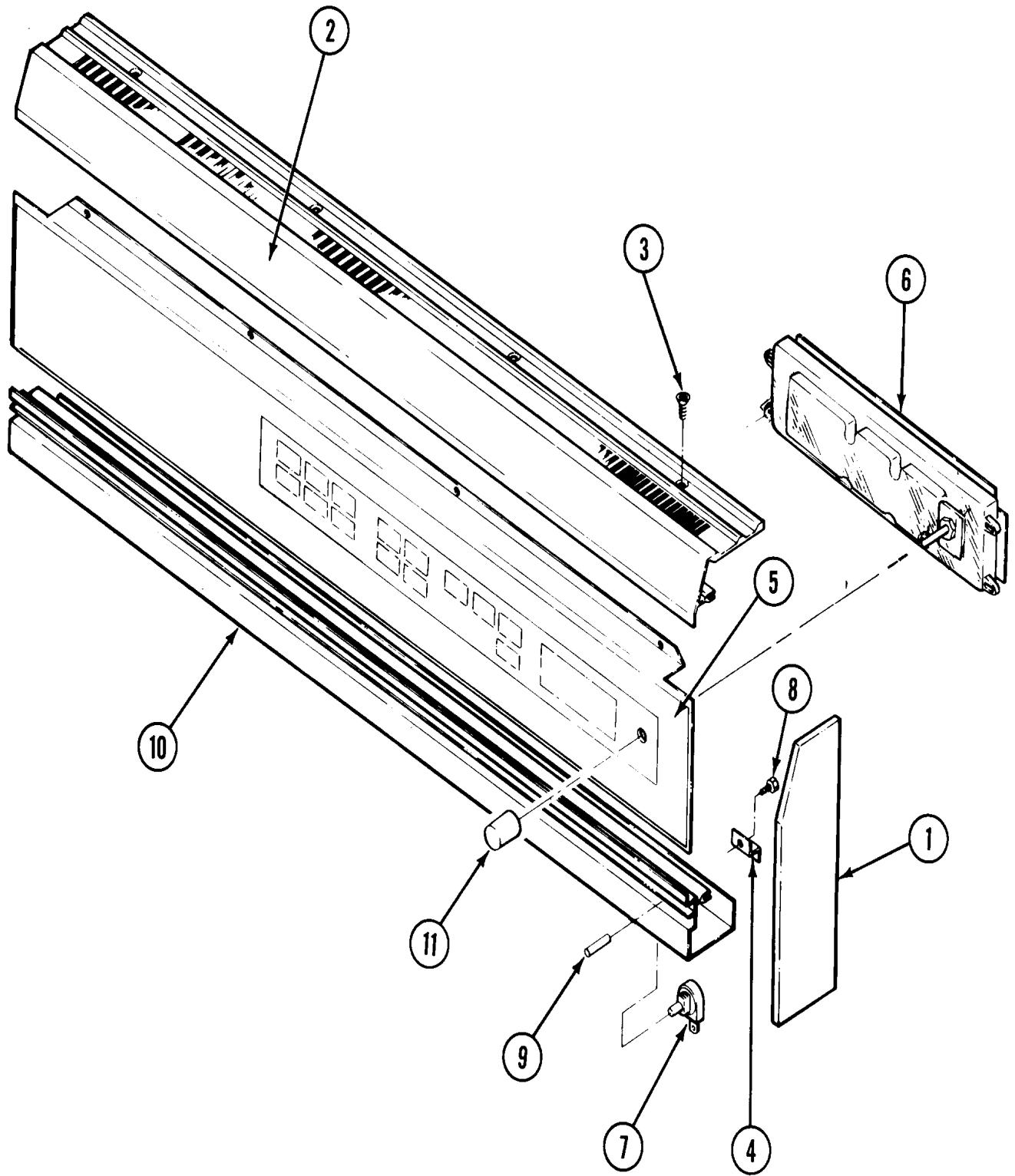
- Product Type
- Part Number
- Model Number
- Part Description

**MAYTAG**®

©2005 Maytag Services

Section: CONTROL PANEL (LOWER)

Model: WM277B



C10-103

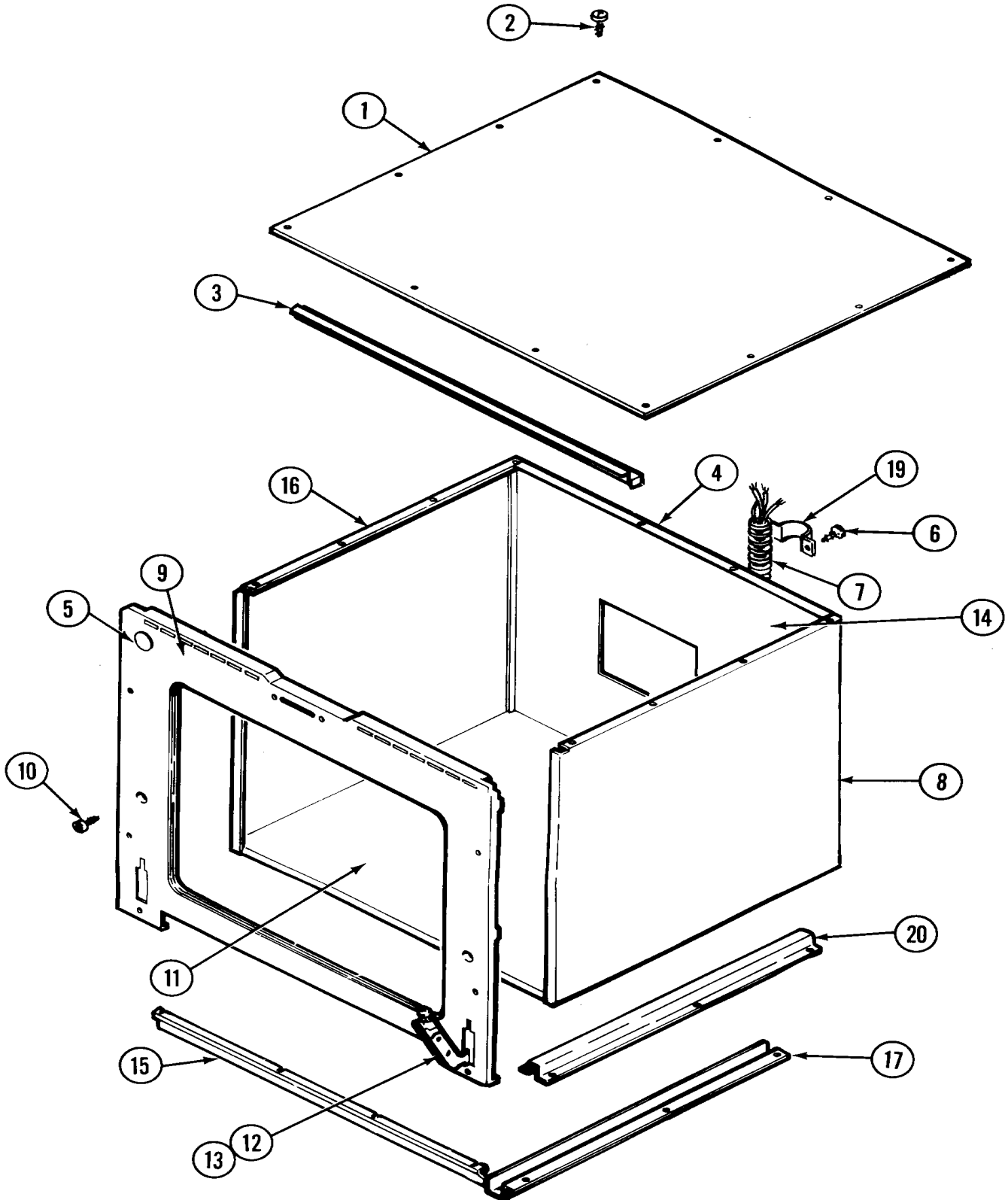
## Section: CONTROL PANEL (LOWER)

No.	Part No.	Description	Series	Qty
1	Y704691	CAP, END (LT/BLK) Note: CAP, END (LT-BLK)	01	1
1	Y704692	CAP, END (RT/BLK) Note: (RT-BLK)	01	1
2	N 04100591	TOP, EXTRUSION (BLK)	01	1
3	N 704714	SCREW, TRIM	01	4
4	N 701609	ANGLE, ATTACHMENT	01	2
5	04100037	PANEL, BACK ASSEMBLY Note: BACK PANEL ASSY. (BLK)	01	1
-	N 704704	HARNESS, WIRE (J2)	01	1
6	Y04100263	TIMER, ELECTRONICS Note: TIMER, ELECTRONIC	01	1
7	N 704797	SWITCH, PUSH (BLK)	01	1
-	N 704730	BRACKET, SWITCH	01	1
8	708955	SCREW	01	20
9	N 704798	EXTENSION, SWITCH (BLK)	01	1
10	N 704688	EXTRUSION, BOTTOM Note: EXTRUSION, BOTTOM (BLK)	01	1
11	703910	KNOB, CLOCK (BLK)	01	1
-	N 04100038	PLATE, END CAP	01	1
13	OU2780UA	MANUAL, USE & CARE	01	1

\*Color Code (-)=Not Shown #=Series, Serial Prefix or Run No., N=Not Available

Section: BODY (LOWER)

Model: WM277B



C14-65

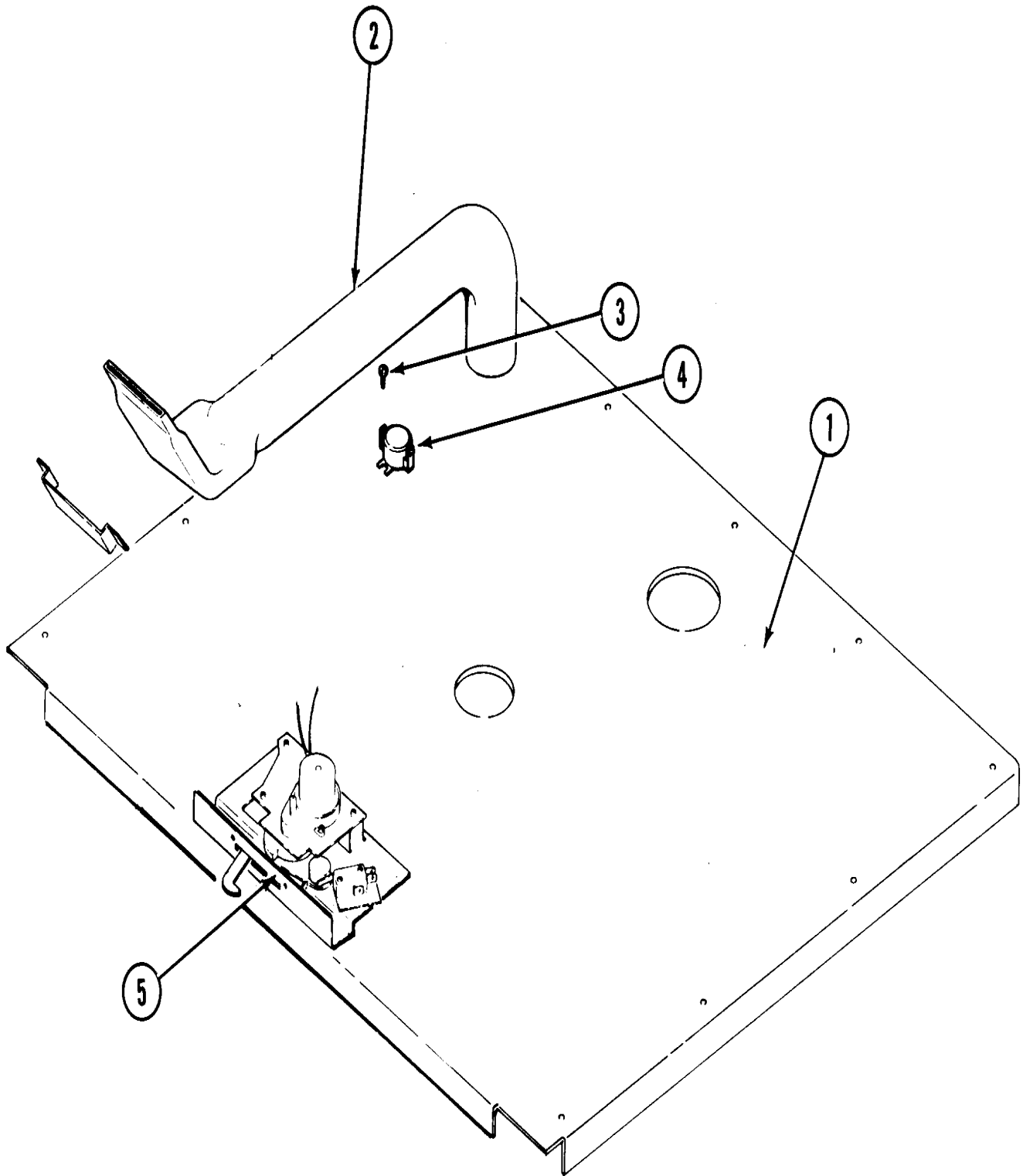
## Section: BODY (LOWER)

No.	Part No.	Description	Series	Qty
1	N 04100567	TOP, UNIT (OUTER)	01	1
2	708955	SCREW	01	15
3	N 703095	SUPPORT, TOP	01	1
4	N 04100564	BACK, OUTER Note: BRACKET, OUTER	01	1
5	701666	SWITCH, DOOR	01	1
6	N 708310	SCREW	01	1
7	N 04100590	WIRE CABLE ASSY. Note: WIRE CABLE ASSY.	01	1
8	N 04100558	PANEL, SIDE (RH) Note: PANEL, SIDE (RT)	01	1
-	N 04100566	BRACKET	01	1
9	N 04100571	CLOSURE, FRONT	01	1
-	N Y700582	SCREW	01	2
10	N 708733	SCREW	01	9
11	N 04100562	PANEL, BOTTOM	01	1
12	Y04100337	HINGE, OVEN DOOR	01	2
-	N 04100577	BACKPLATE, HINGE	01	2
13	Y701664	SCREW	01	4
14	N 04100561	BACK, INNER	01	1
-	N 04100565	INSULATION WRAP Note: INSULATION, WRAP	01	1
15	N 704642	TRIM, OVEN (LWR-BLK) Note: TRIM, LOWER OVEN (BLK)	01	1
16	N 04100557	PANEL, SIDE (LH) Note: PANEL, SIDE (LT)	01	1
17	N 700596	RAIL, BOTTOM	01	2
18	Y700556	CLIP, J	01	4
19	N 701692	CLAMP, CONDUIT	01	1
-	N 702336	ANGLE, OVEN SUPPORT	01	1
20	N 04100563	RAIL, SUPPORT	01	2

\*Color Code (-)=Not Shown #=Series, Serial Prefix or Run No., N=Not Available

Section: INTERNAL CONTROLS-LOWER

Model: WM277B



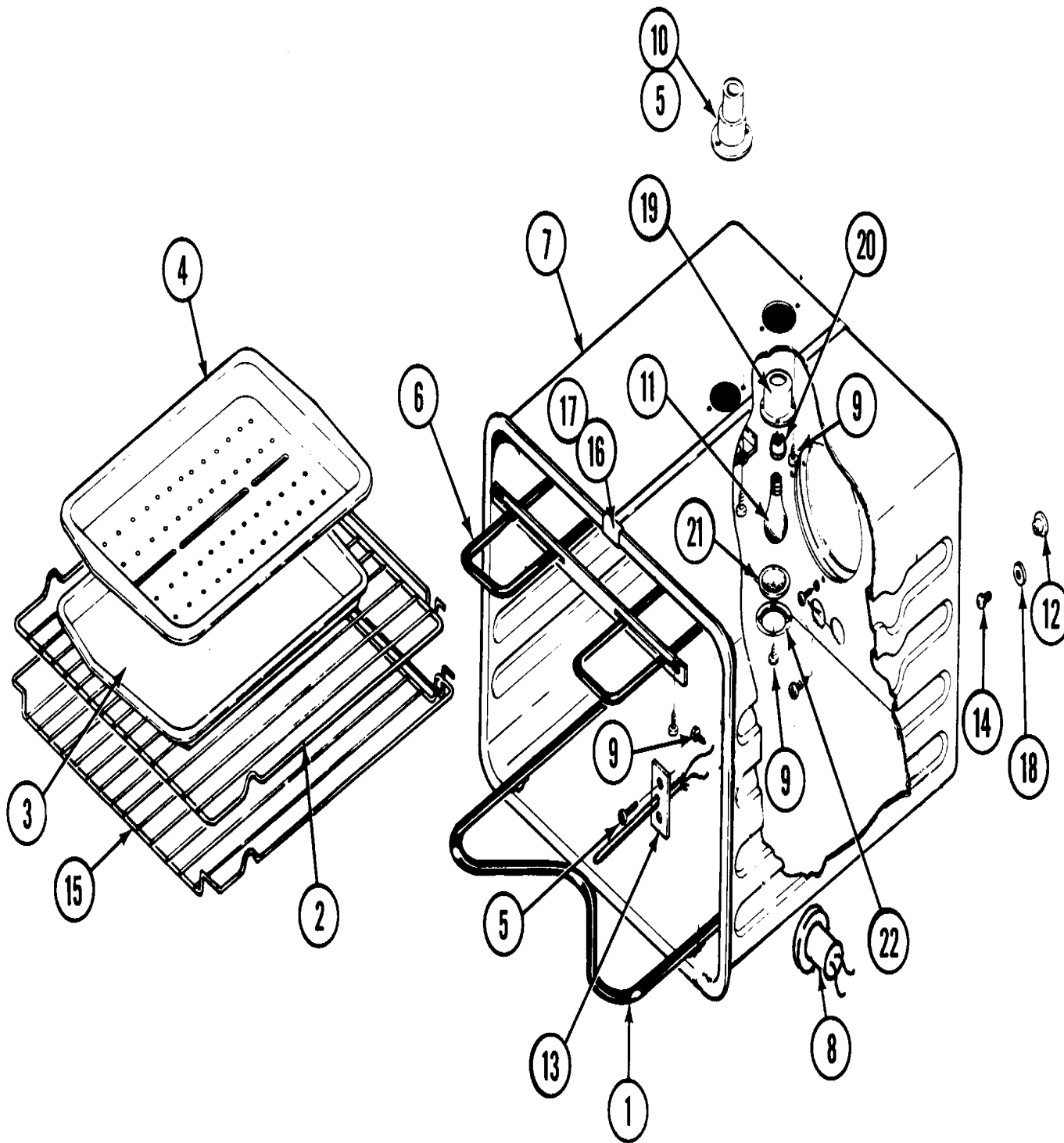
**Section: INTERNAL CONTROLS-LOWER**

No.	Part No.	Description	Series	Qty
1	N 04100559	PANEL, INNER TOP	01	1
2	N 04100538	VENT, TUBE (BLK)	01	1
3	708955	SCREW	01	17
4	701687	THERMOSTAT	01	1
5	704689	LATCH, AUTOMATIC (UPPER)	01	1
-	Y04100259	ADAPTOR	01	1
-	701678	TIE, CABLE	01	1
-	N 705060	WIRE, GREEN Note: (GREEN)	01	1
-	N 704974	WIRE, GRAY Note: (GRAY)	01	1
-	04100594	WIRE, BROWN W/RESISTOR Note: WIRE, W/RESISTOR (BROWN)	01	1
-	N 704823	HARNESS, WIRE	01	1

\*Color Code (-)=Not Shown #=Series, Serial Prefix or Run No., N=Not Available

Section: OVEN LINER-LOWER

Model: WM277B





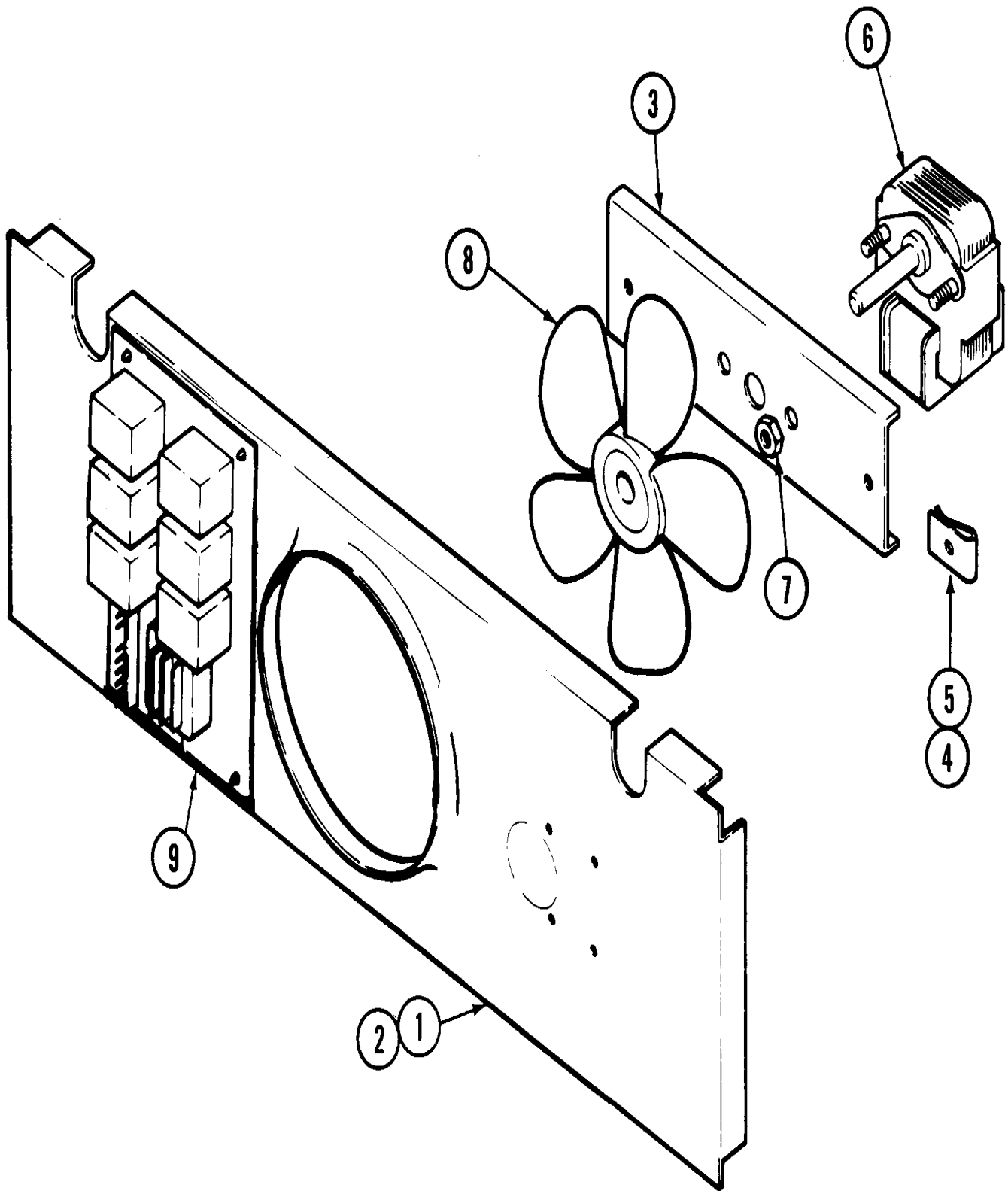
## Section: OVEN LINER-LOWER

No.	Part No.	Description	Series	Qty
1	Y04100389	ELEMENT, BAKE	01	1
2	Y704661	RACK, OVEN	01	2
3	703164	PAN, BROIL	01	1
4	703165	INSERT, BROIL PAN	01	1
5	N 703741	SCREW	01	14
6	N 704667	ELEMENT, BROIL	01	1
7	N Y04100676	LINER, OVEN Note: OVEN WELD ASSY.	01	1
-	04100596	PLATE, PROBE RECEPTACLE	01	1
-	703356	NUT, HEX 3/8" Note: NUT HEX (3/8")	01	1
8	Y700883	JACK, PROBE	01	1
-	N 703007	STANDOFF	01	1
9	N 04100134	SCREW	01	14
10	N 701738	TUBE, VENT	01	1
11	707319	BULB, OVEN (40 WATT BRASS)	01	1
12	N 715294	NUT, TEE	01	2
13	12500029	PROBE, OVEN SENSOR	01	2
14	N 12500270	SCREW	01	5
15	Y704663	RACK, OVEN (OFFSET)	01	1
16	Y702618	CLIP, OVEN	01	1
17	701662	RIVET	01	1
18	702592	WASHER	01	7
19	N 704142	RECEPTACLE, HOLDER	01	1
20	Y704145	RECEPTACLE, SNAP-IN	01	1
21	Y704143	LENS, LIGHT	01	1
22	Y704144	RETAINER, LENS	01	1
-	N 701712	PLATE, CONVECTION BACK	01	1
-	702929	BUTTON, PLUG	01	1
-	N 04100597	PLATE, OUTER COVER	01	1
-	Y700884	PROBE, MEAT	01	1

\*Color Code (-)=Not Shown #=Series, Serial Prefix or Run No., N=Not Available

Section: BLOWER MOTOR-COOLING

Model: WM277B



C18-16

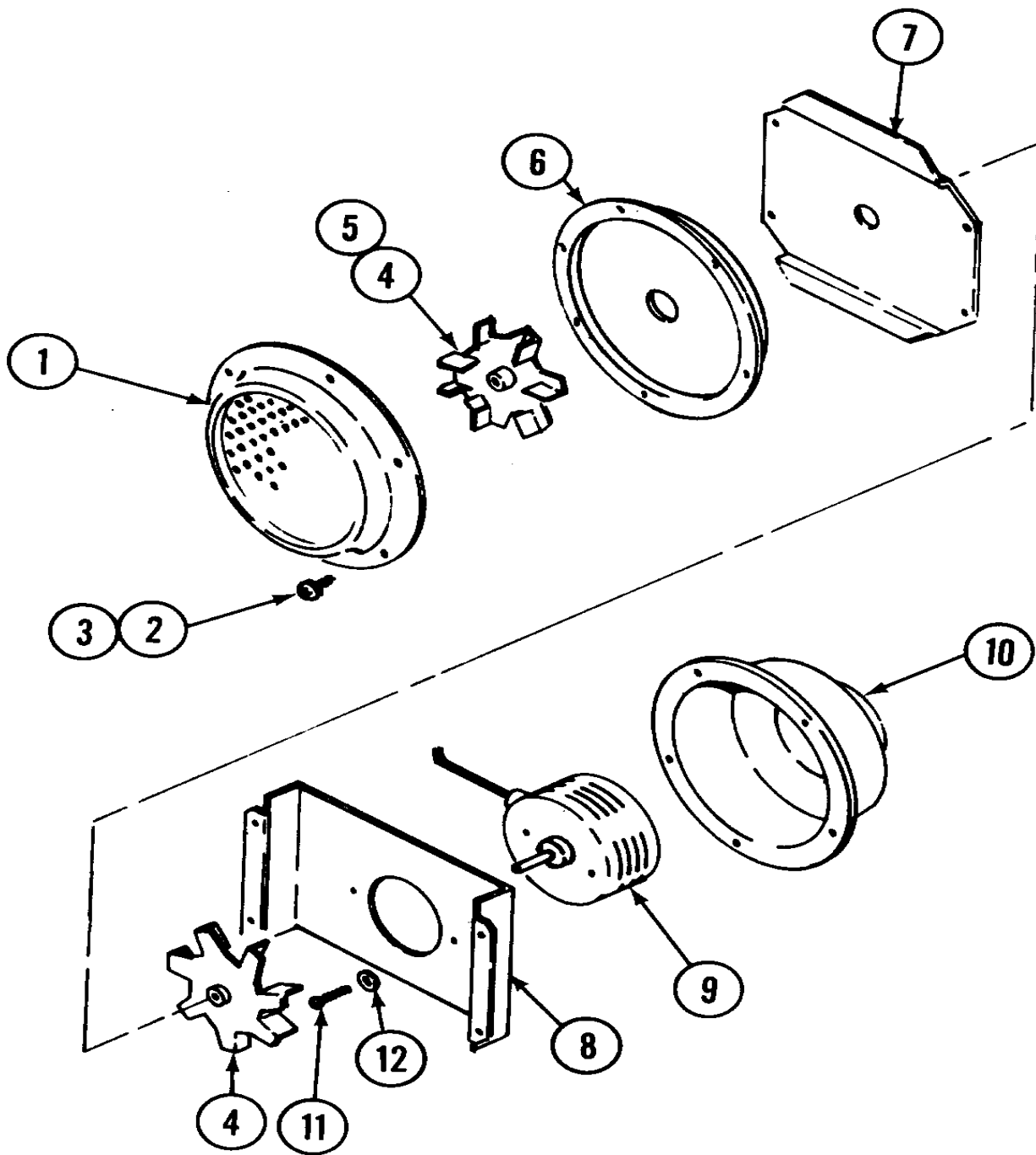
## Section: BLOWER MOTOR-COOLING

No.	Part No.	Description	Series	Qty
1	N 04100560	SHROUD, FAN	01	1
2	715773	SCREW	01	4
3	Y704732	MOUNT, MOTOR	01	1
4	Y700502	SCREW	01	2
5	Y700556	CLIP, J	01	2
6	Y701721	MOTOR, FAN	01	1
7	701719	NUT, HEX	01	2
8	N 702944	BLADE, FAN	01	1
9	Y704706	SUPPORT, CIRCUIT BOARD	01	8
-	04100260	RELAY, TRANSFORMER ASSY.	01	1
-	715957	FOAM, URETHANE	01	1
-	N 704973	WIRE, ORANGE Note: WIRE (ORANGE)	01	1
-	N 705031	HARNESS, WIRE Note: HARNESS, WIRE	01	1

\*Color Code (-)=Not Shown #=Series, Serial Prefix or Run No., N=Not Available

Section: BLOWER MOTOR-CONVECTION

Model: WM277B



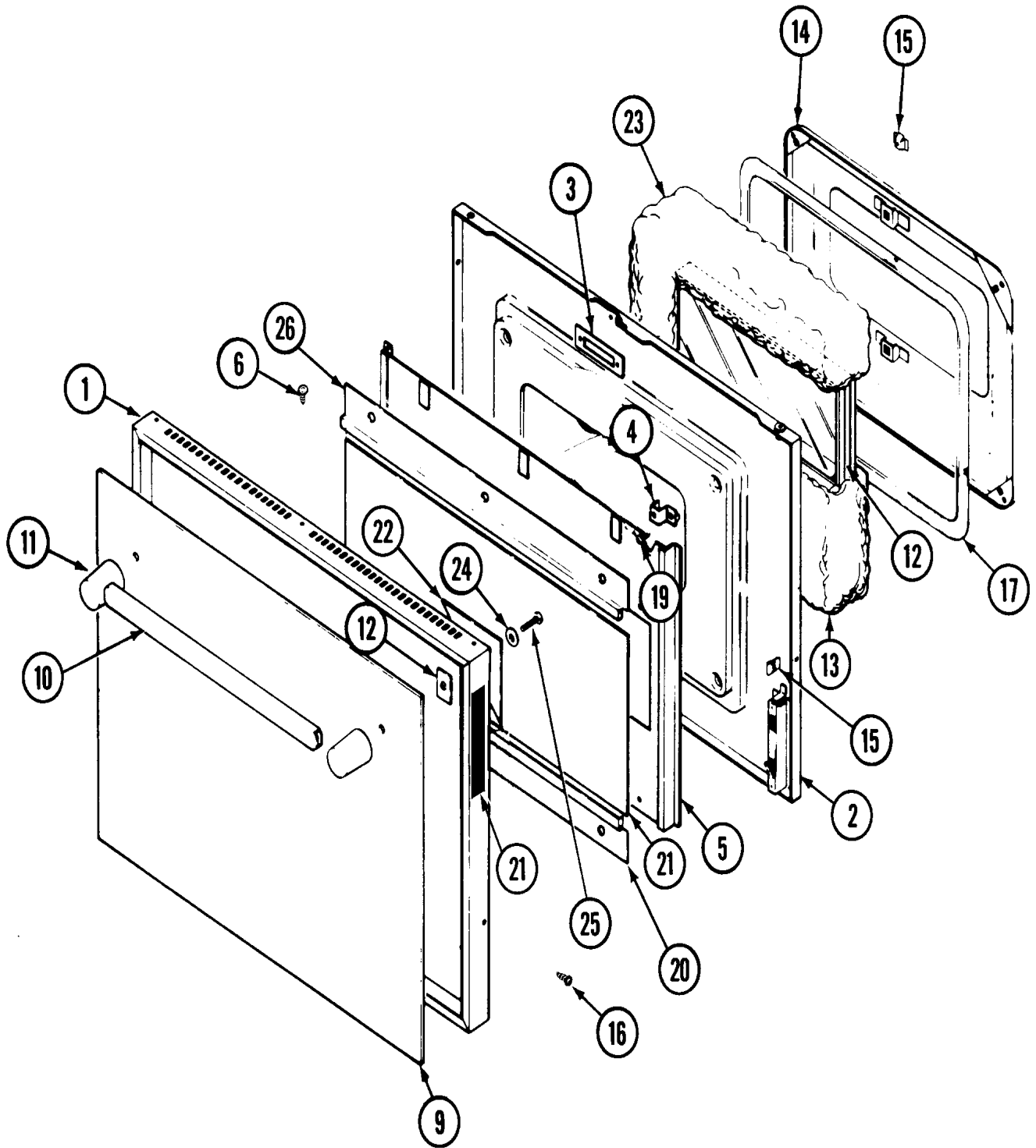
**Section: BLOWER MOTOR-CONVECTION**

No.	Part No.	Description	Series	Qty
1	71001378	PLATE, CONVECTION FRONT	01	1
2	N 703741	SCREW	01	6
3	702592	WASHER	01	3
4	701711	WHEEL, CONVECTION	01	2
5	708861	SCREW	01	3
6	N 701712	PLATE, CONVECTION BACK	01	1
7	N 701713	COVER, MOTOR FRONT	01	1
8	N Y700601	PLATE, MOTOR MOUNT	01	1
9	Y704972	MOTOR, CONVECT	01	1
10	N 701716	COVER, MOTOR	01	1
11	708955	SCREW	01	6
12	N 715910	WASHER, LOCK	01	3

\*Color Code (-)=Not Shown #=Series, Serial Prefix or Run No., N=Not Available

Section: DOOR (LOWER)

Model: WM277B



C11-153

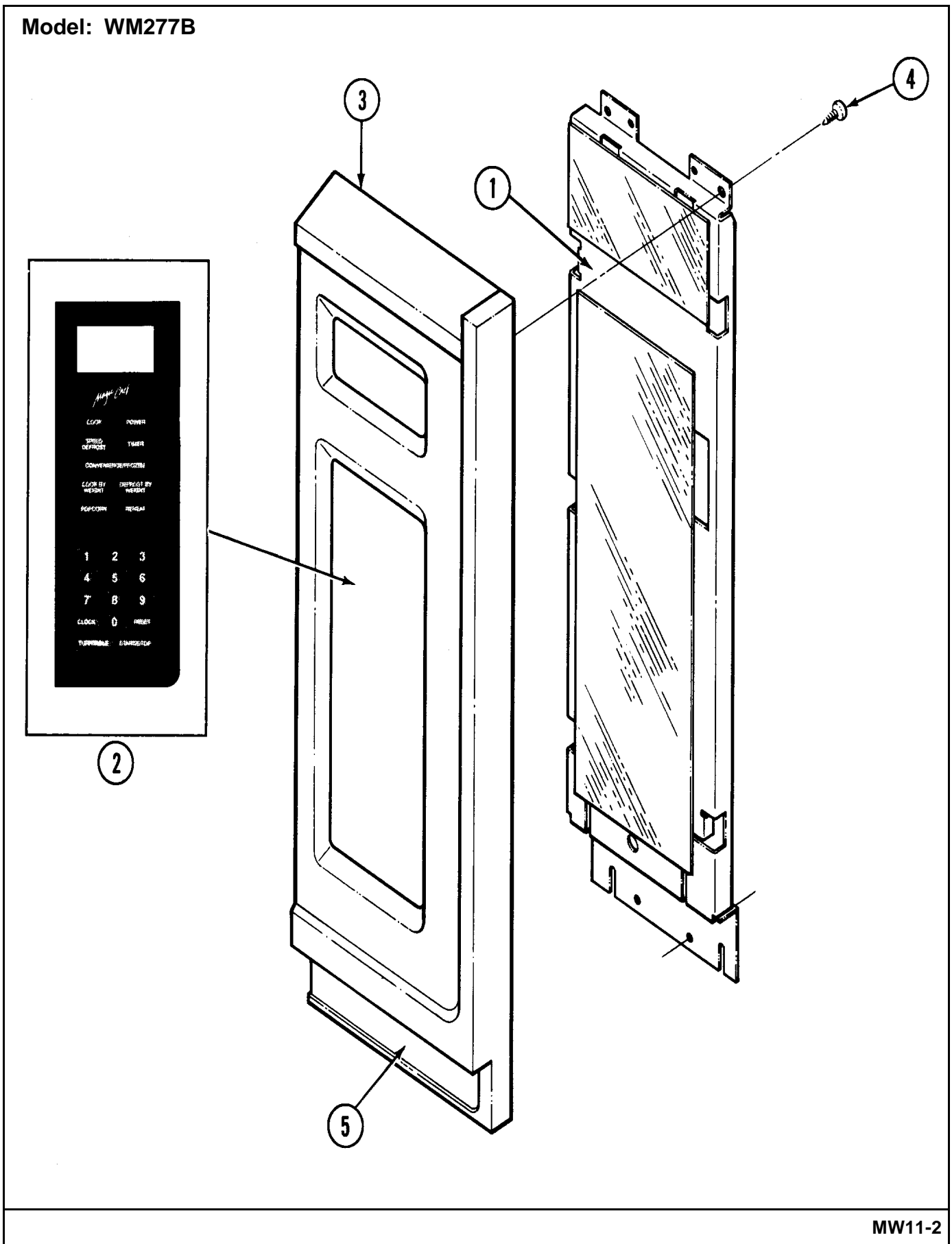
## Section: DOOR (LOWER)

No.	Part No.	Description	Series	Qty
1	N 04100544	FRAME, DOOR (BLK)	01	1
2	04100543	LINER, DOOR	01	1
3	Y712010	PLATE, LATCH (UPPER)	01	1
4	701662	RIVET	01	2
5	701652	BRACKET, STAND-OFF	01	5
6	N 04100542	BAFFLE, DOOR	01	1
7	N 704238	SCREW (BLK)	01	1
8	Y704223	BUMPER, BUTTON	01	4
9	704712	GLASS (LOWER) Note: GLASS, SCREENED (BLK)	01	1
10	Y704225	HANDLE Note: HANDLE (BLK)	01	1
11	Y704224	END CAP (BLK) Note: CAP, END (BLK)	01	2
12	Y704489	BUSHING	01	2
13	701736	WASHER	01	2
13	N 704805	GUSSET----NA	01	2
14	704963	SCREW	01	2
15	701648	WINDOW PACK	01	1
16	N 701660	INSULATION, TOP	01	6
16	N 702293	INSULATION	01	1
16	N 702292	INSULATION, BOTTOM	01	1
17	N 712208	PLUG (LOWER)	01	1
18	N 704487	CLIP	01	6
19	704488	SCREW (BLACK) Note: SCREW (BLK)	01	2
20	Y702338	SEAL, OVEN DOOR	01	1
21	N 04100580	INSERT, FRAME (BLK)----NA Note: INSERT, DOOR (BLK)	01	2
22	N 701641	RIVET, ACCORDION	01	4
23	N 701643	NUT, PUSH IN	01	3
24	Y704820	GLASS, BAFFLE	01	1
25	705404	CLIP	01	2
26	N 703958	SCREW	01	8
26	715870	SCREW	01	2
27	Y704819	RETAINER, GLASS	01	2

\*Color Code (-)=Not Shown #=Series, Serial Prefix or Run No., N=Not Available

Section: CONTROL PANEL (UPPER M167B/M167W)

Model: WM277B



MW11-2



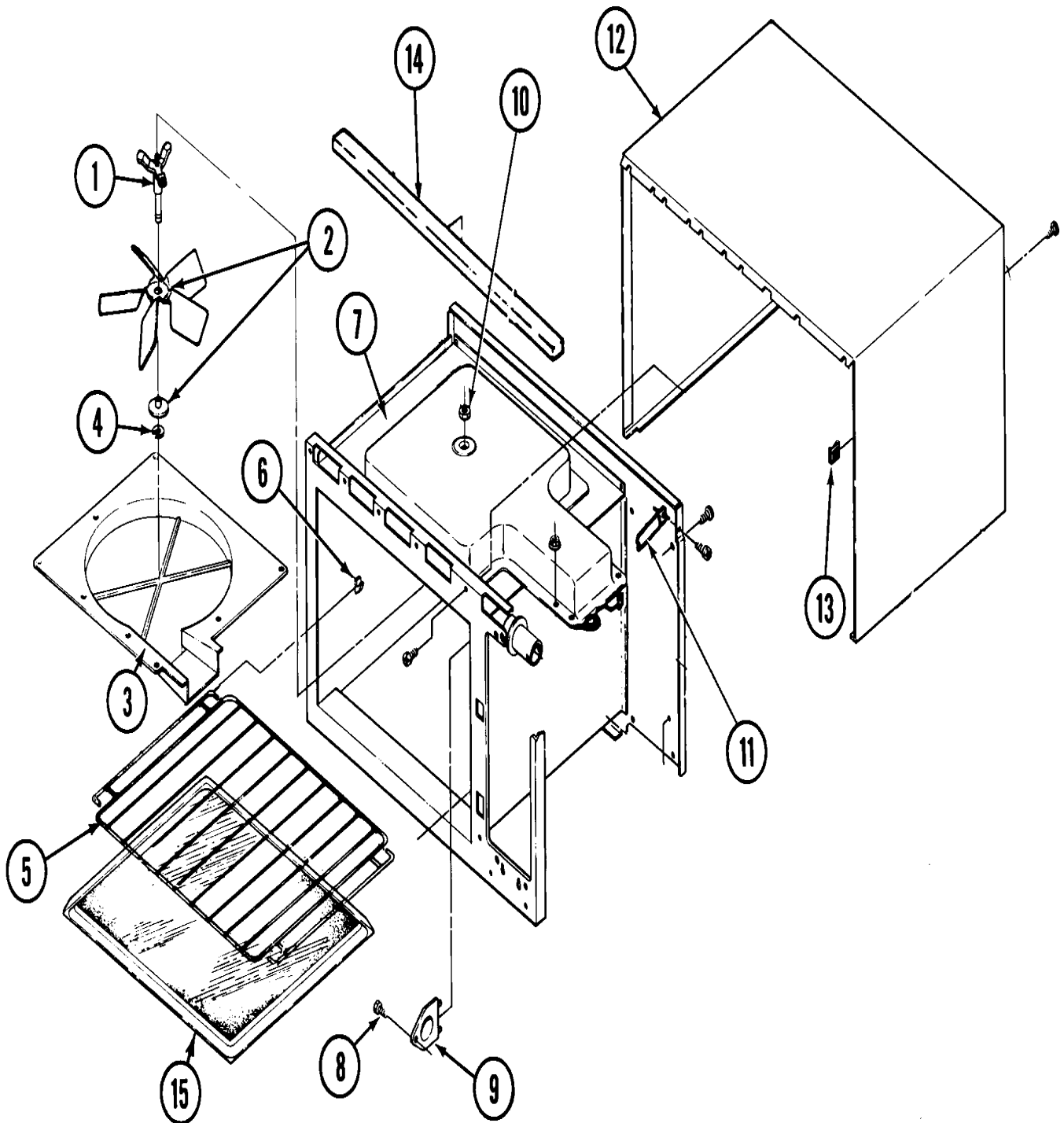
**Section: CONTROL PANEL (UPPER M167B/M167W)**

No.	Part No.	Description	Series	Qty
-	N 01210107	BOARD, CONTROL	01	1
1	N 02030173	BRACKET, CONTROL	01	1
2	N 02060377	SWITCH PANEL	01	1
3	N 02100256	INSERT, BLACK	01	1
-	N 03020041	SCREW Note: (BOTTOM)	01	4
4	N Y03010147	SCREW (TOP)	01	4
5	N 02100244	INSERT, CONTROL/DOOR	01	1

\*Color Code (-)=Not Shown #=Series, Serial Prefix or Run No., N=Not Available

Section: BODY (UPPER M167B/M167W)

Model: WM277B



MW14-25

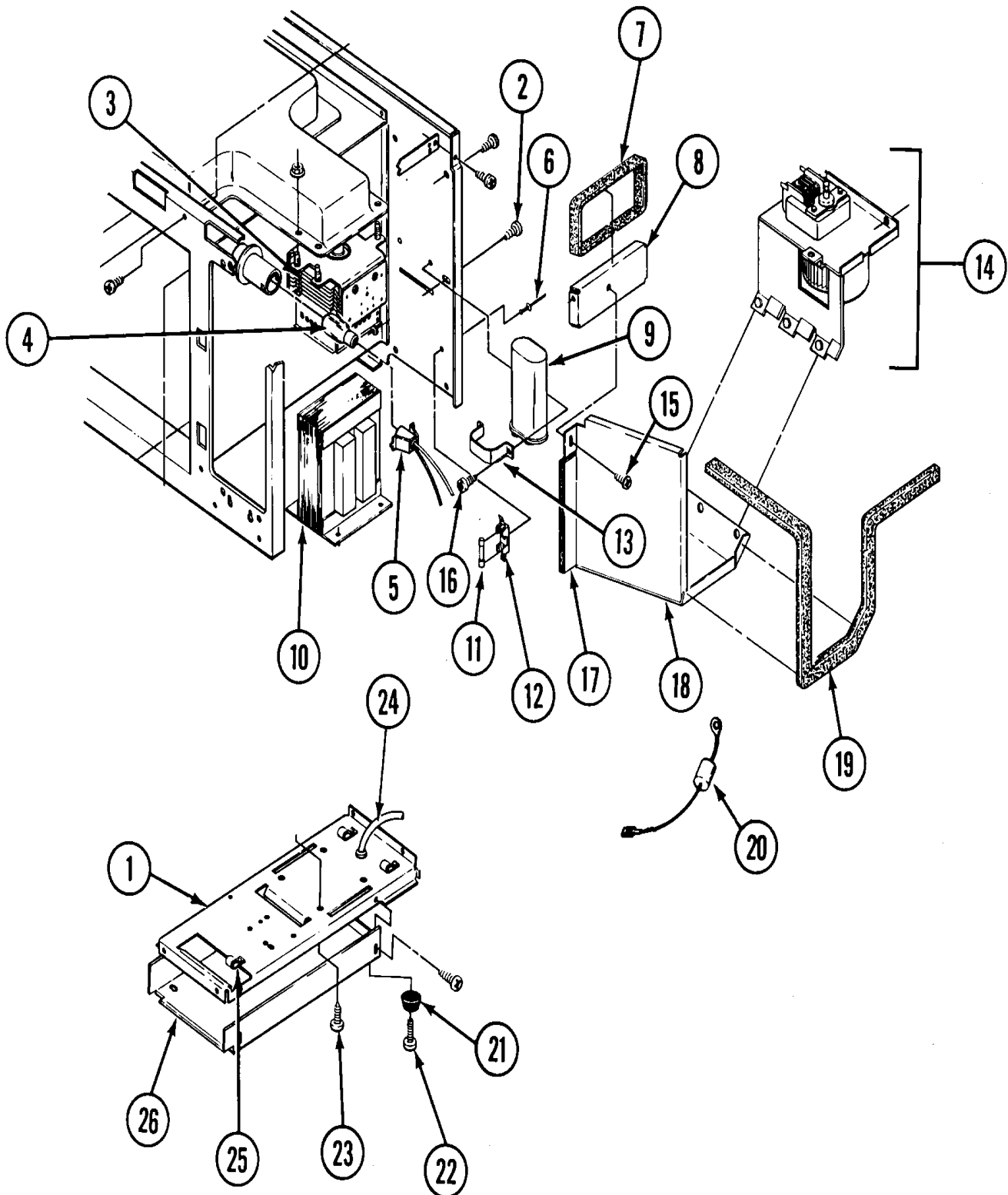
**Section: BODY (UPPER M167B/M167W)**

No.	Part No.	Description	Series	Qty
1	N 02360058	SHAFT, STIRRER	01	1
2	N 04021190	BLADE, BUSHING ASSEMBLY Note: BLADE, BUSHING ASSY.	01	1
3	02300045	COVER, STIRRER	01	1
-	03110050	CLIP	01	8
4	N 03110066	CLIP, STIRRER	01	1
5	02410004	RACK, OVEN	01	1
6	N 02010031	SUPPORT, RACK	01	4
7	N 04021553	CAVITY	01	1
8	N 03010098	SCREW	01	1
9	Y02400007	LENS, BULB	01	1
10	N 03050007	NUT, SHAFT STIRRER	01	1
11	N 02020020	BRACE, UPPER RIGHT SUPPORT	01	1
12	N 02140070	CABINET (BLK) Note: CABINET (BLK)	01	1
13	N 03110046	CLIP, CABINET (LT)	01	1
13	N 03110027	CLIP, CABINET (RT)	01	1
14	N 02100258	TRIM, BLACK Note: TRIM, INTAKE & EXHAUST (BLK)	01	1
-	Y02280047	TRAY	01	1
-	N 02240826	LABEL, COOK CODE (B) Note: LABEL, COOK CODE (BLK)	01	1
-	N Y06010320	MANUAL, USE & CARE	01	1

\*Color Code (-)=Not Shown #=Series, Serial Prefix or Run No., N=Not Available

Section: INTERNAL CONTROLS (UPPER M167B/M167W)

Model: WM277B



MW13-2

## Section: INTERNAL CONTROLS (UPPER M167B/M167)

No.	Part No.	Description	Series	Qty
1	02040101	PLATE, COMPONENT MOUNTING Note: COMPONENT MTG. PLATE	01	1
2	N Y03010144	SCREW	01	1
3	N 01040004	MAGNETRON	01	1
4	N 01060029	LIGHT, OVEN	01	1
5	N 01100045	RECEPTACLE, LIGHT	01	1
6	N Y03060002	RIVET, POP	01	1
7	N 02310109	TAPE, FOAM	01	1
8	02170111	SUPPORT, DUCT MAGNETRON	01	1
-	N 01010008	RESISTOR, BLEEDER	01	1
9	Y01020023	CAPACITOR	01	1
10	N 01130028	TRANSFORMER, H.V.	01	1
11	Y01050005	FUSE 15A 125V	01	1
12	W10124350	NOT REQUIRED PART OR SEE NOTE Note: PART NOT USED	01	0
12	03110050	CLIP	01	8
13	N 02030123	BRACKET	01	1
14	N 04021191	BLOWER ASSEMBLY	01	1
-	02170119	HOUSING, BLOWER	01	1
-	N 01110029	MOTOR, BLOWER	01	1
-	01110016	WHEEL, BLOWER	01	1
-	02030144	BRACKET, BLOWER SUPPORT	01	1
15	N 03010098	SCREW	01	1
16	N 03020076	SCREW	01	1
17	N 02310071	TAPE, FOAM	01	1
18	N 04020842	DUCT ASSEMBLY, MAGNETRON Note: DUCT ASSY., MAGNETRON	01	1
19	N 02310070	TAPE, FOAM	01	1
20	04010206	DIODE	01	1
21	N Y02230008	FOOT, BASE	01	1
22	Y03020068	SCREW	01	1
23	N 03010094	SCREW	01	4
24	N 01080055	CORD, POWER (WHT)	01	1
25	N 03110022	CLIP, WIRE HARNESS	01	1
26	N 02300020	COVER, COMP MNTG	01	1
-	N 01180010	SWITCH, TEMP LIMIT	01	1
-	N Y04060532	HV LEAD WIRE (8 ")	01	1
-	Y04060535	HV LEAD WIRE (16")	01	1
-	N 04010271	WIRE HARNESS	01	1

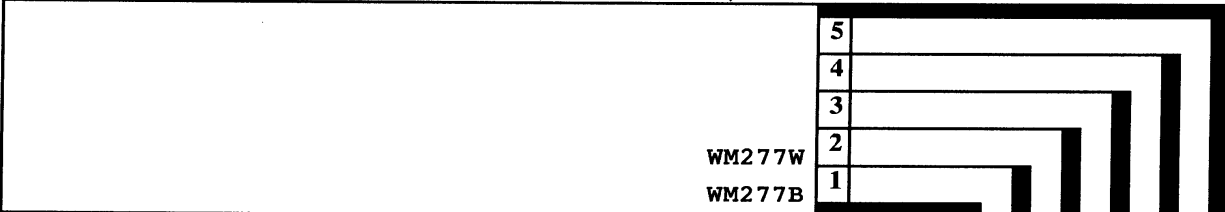
\*Color Code (-)=Not Shown #=Series, Serial Prefix or Run No., N=Not Available

Section: INTERLOCK SWITCHES (UPPER M167B, M167W)

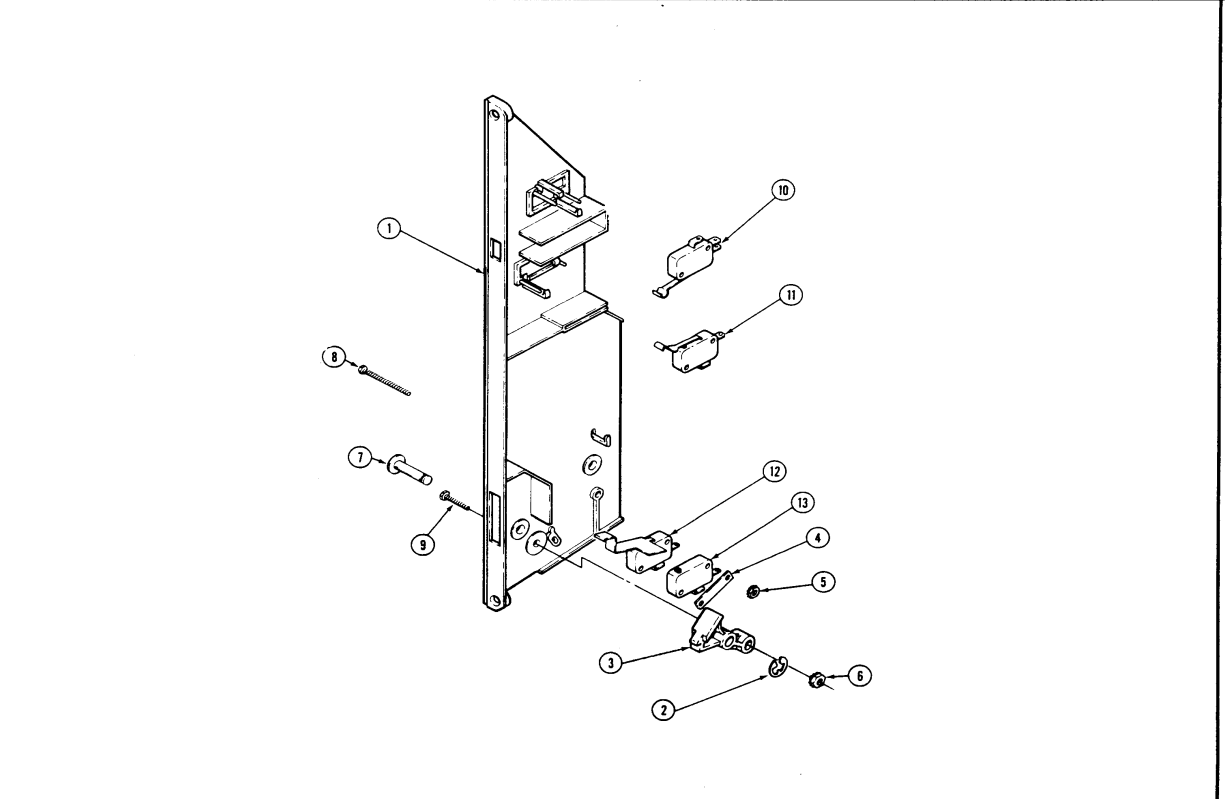
Model: WM277B

Section: INTERLOCK SWITCHES-UPPER (M167B/M167W)

P/N 16002844



No.	PART NUMBER	DESCRIPTION	#SEE BELOW	1	2	3	4	5
1	0203-0133	BRACKET, INTERLOCK	01	1	1			
2	0311-0040	CLIP, RETAINER	01	1	1			
3	0219-0049	LATCH, DOOR INTERLOCK	01	1	1			
4	0110-0043	INSULATOR, SWITCH	01	1	1			
-	0218-0016	LEVER, INTERLOCK SWITCH ACTIV.	01	1	1			
5	0305-0001	NUT	01	2	2			
6	0305-0003	NUT	01	1	1			
7	0307-0031	PIN, LEVER & PIVOT LATCH	01	1	1			
8	0301-0117	SCREW	01	1	1			
9	0301-0114	SCREW	01	1	1			
	0402-1546	INTERLOCK ASSEMBLY	01	1	1			
10	0114-0038	SWITCH, SECONDARY	01	1	1			
11	0114-0030	SWITCH, MONITOR	01	1	1			
12	0114-0068	SWITCH, PRIMARY	01	1	1			
13	0114-0043	SWITCH, LOGIC	01	1	1			



\*COLOR CODE (-)=NOT SHOWN #=SERIES, SER PRE OR RUN NO. 15515

JAC15B9

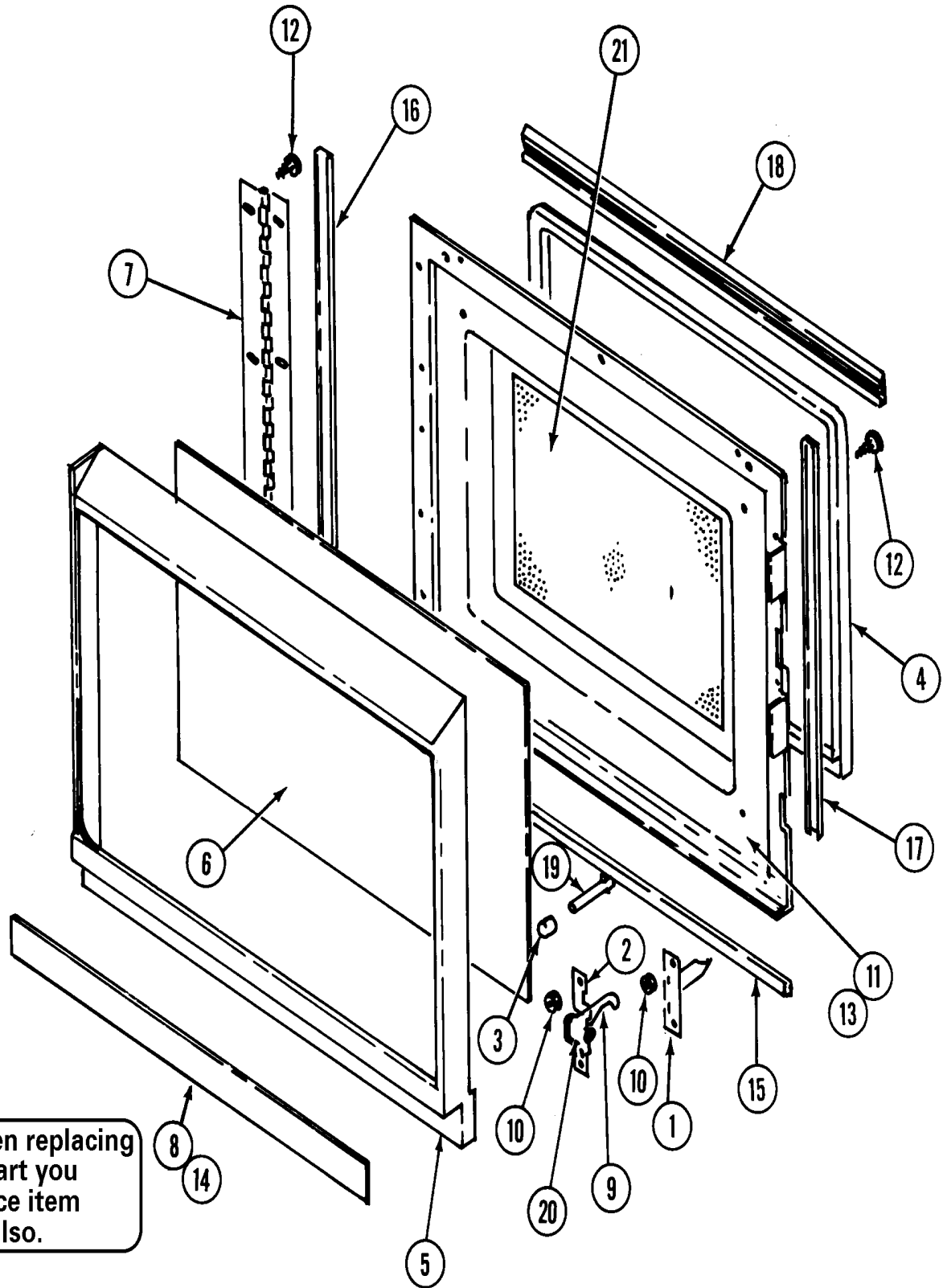
**Section: INTERLOCK SWITCHES (UPPER M167B, M16**

No.	Part No.	Description	Series	Qty
1	02030133	BRACKET, INTERLOCK	01	1
2	N 03110040	CLIP, RETAINER	01	1
3	N 02190049	LATCH, DOOR INTERLOCK	01	1
4	01100043	INSULATOR, SWITCH	01	1
-	02180016	LEVER, INTERLOCK SWITCH	01	1
5	N Y03050001	NUT	01	2
6	N 03050003	NUT	01	1
7	03070031	PIN, LEVER & PIVOT LATCH	01	1
8	N 03010117	SCREW	01	1
9	N 03010114	SCREW	01	1
9	N 04021546	SWITCH, INTERLOCK ASSY.	01	1
10	N Y01140038	SWITCH, SECONDARY INTERLOCK Note: SWITCH, SECONDARY	01	1
11	N Y01140030	SWITCH, MONITOR INTERLOCK Note: SWITCH, MONITOR	01	1
12	N 01140068	SWITCH, PRIMARY INTERLOCK Note: SWITCH, PRIMARY	01	1
13	01140043	SWITCH, LOGIC INTERLOCK Note: SWITCH, LOGIC	01	1

\*Color Code (-)=Not Shown #=Series, Serial Prefix or Run No., N=Not Available

Section: DOOR (UPPER M167B,M167W)

Model: WM277B



Note: When replacing any door part you must replace item number 8 also.



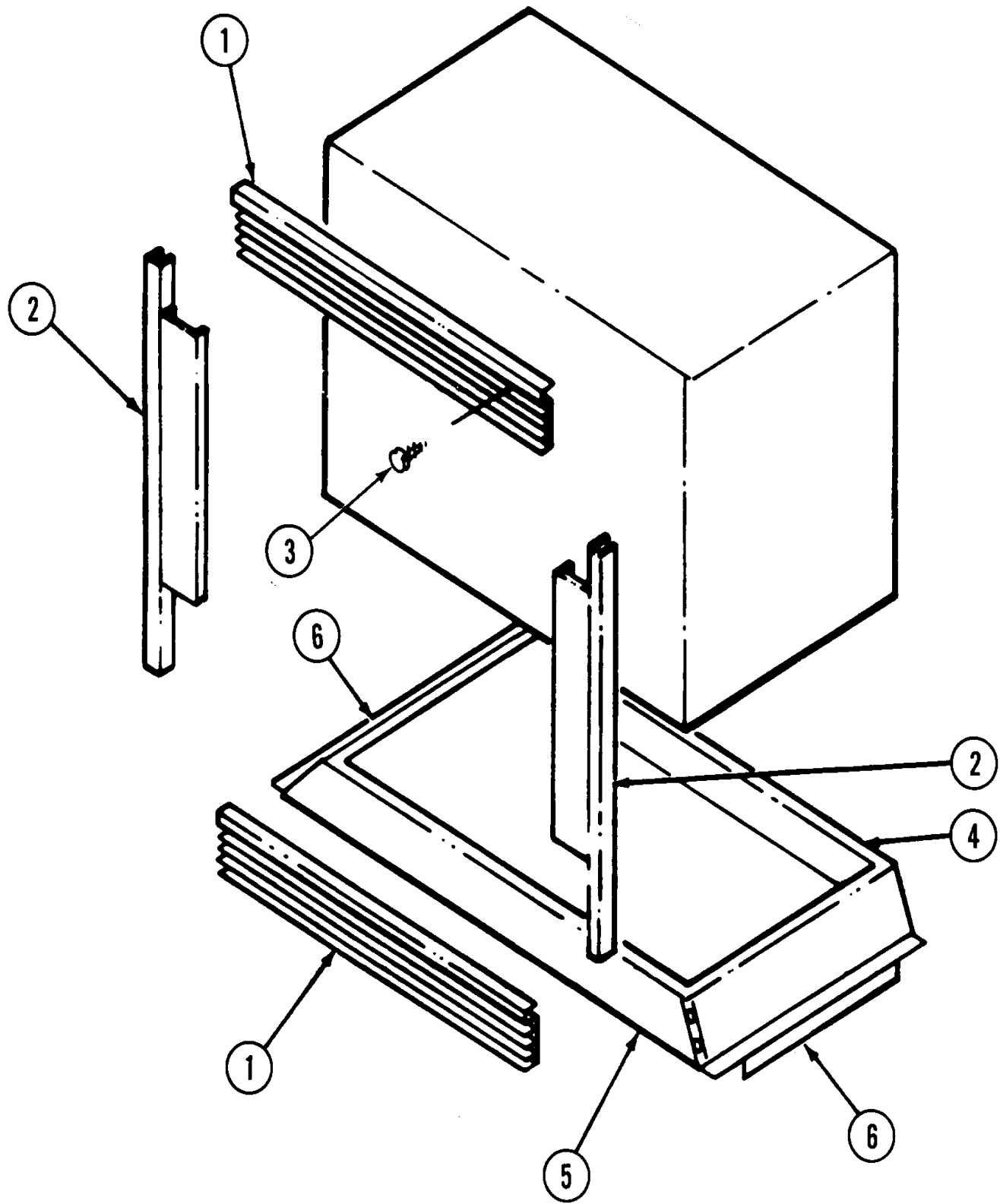
**Section: DOOR (UPPER M167B,M167W)**

No.	Part No.	Description	Series	Qty
1	02030117	ACTIVATOR, MONITOR	01	1
2	02030116	BRACKET, DOOR LATCH	01	1
3	N Y02100135	BUMPER	01	1
4	02100166	CHOKE, FILLER (BLK) Note: CHOKE, FILLER (BLK)	01	1
5	N 04021589	FRAME, DOOR	01	1
6	N 02120151	EXTRUSION, HANDLE (BLK) Note: EXTRUSION, HANDLE (BLK)	01	1
-	N Y02220117	GLASS, DOOR BLACK Note: (BLK)	01	1
7	02200017	HINGE, DOOR	01	1
8	N 02100244	INSERT, CONTROL/DOOR	01	1
9	N 02190056	LATCH, DOOR	01	1
10	Y03050041	NUT, HEX(MUST ORDER LOCALLY)	01	3
11	N 04021377	PANEL, INNER DOOR (BLK) Note: PANEL, INNER (BLK)	01	1
12	N Y03010157	SCREW, 6-32 X 3/8 PH BLACK	01	3
13	N 03010118	SCREW	01	3
14	N Y03010135	SCREW	01	2
15	N 02120114	SEAL, BOTTOM	01	1
16	02120121	SEAL, HINGE SIDE	01	1
17	02120122	SEAL, LATCH SIDE	01	1
-	03120064	SHIM	01	1
18	N 02120153	SEAL, TOP	01	1
19	03120069	SPACER, DOOR WINDOW	01	1
20	03180023	SPRING, DOOR LATCH	01	1
21	N 02220073	WINDOW, POLYESTER	01	1
-	N 03010113	SCREW	01	1

\*Color Code (-)=Not Shown #=Series, Serial Prefix or Run No., N=Not Available

Section: TRIM-MICROWAVE (M167B, M167W)

Model: WM277B



MW17-1

**Section: TRIM-MICROWAVE (M167B, M167W)**

No.	Part No.	Description	Series	Qty
1	N 704676	EXTRUSION, TOP/BOTTOM Note: EXTRUSION, TOP/BOTTOM (BLK)	01	2
2	N 704395	EXTRUSION, SIDE Note: EXTRUSION, SIDE (BLK)	01	2
-	708955	SCREW	01	6
3	703534	SCREW Note: SCREW, TRIM (BLK)	01	4
4	N 704344	BRACKET, STOP	01	1
5	N 704342	FRONT, STOP Note: FRONT, STOP (BLK)	01	1
-	Y700502	SCREW	01	18
-	N 704343	SUPPORT, FRONT	01	1
6	N 704982	RAIL, SUPPORT	01	2

\*Color Code (-)=Not Shown #=Series, Serial Prefix or Run No., N=Not Available

